

Ring Pump®

RP-TX Series



Features

- The world smallest level flow rate.
- Wide range of flow levels are possible by using different pumpheads.
- Docking of the pumphead can be done easily by using three screws.
- Autoclave sterilizable pumphead is available.

Examples of application

Analytical instruments, medical devices, cell culturing experiments and many other usages where micro-fluidic control is needed.

Main specifications

Flow rate ($\mu\text{L}/\text{min}$)*	0.03 - 40
Tubing	Silicone, PharMed BPT
Motor/Power source	Stepper motor DC 3V
Weight (for reference)	Approx. 9g (Varies by motor)

* Flow rate is at revolution speed 1 - 1,000 pps (1/4 micro step).

Replaceable Pumphead Motor Controller



Replaceable pumphead
ARTBS0.5X1.5-K



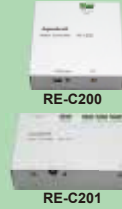
Replaceable pumphead
ARTBS0.5X1.5-K5
Autoclave sterilizable



RE-F100
Motor controller and display
for RP-TX pumps

RE-C100
Motor controller and display
for RP-TX pumps

PC Programmable Motor Controller



RE-C200
* You can control one pump with RE-C200.
* RE-C200 can be connected with two sets of slave controller RE-C201 and each set can control 4 pumps.
Thus, maximum 9 pumps can be controlled by the set of one RE-C200 and two RE-201.
* Mixture of different pumps is possible.

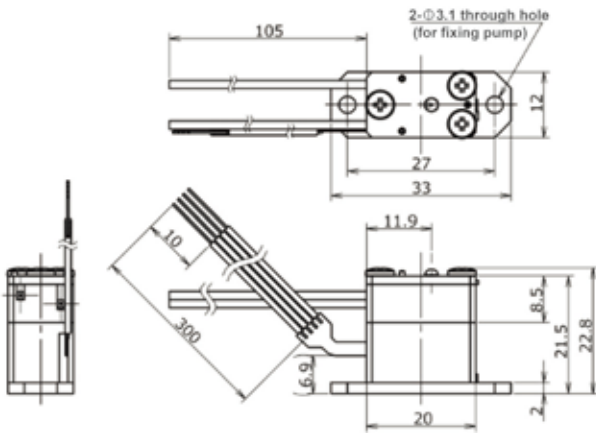


RE-C500
* You can control 6 pumps with RE-C500.
* RE-C500 can be connected with one set of RE-C501 which can control 6 pumps.
Thus, maximum 12 pumps can be controlled by each one set of RE-C500 and RE-501.
* Each operation sequence of the pump can be programmed and by storing the program data in the RE-C500, the pump can be driven without a PC connection.
* Mixture of different pumps is possible.

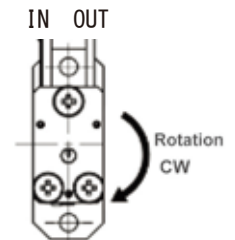
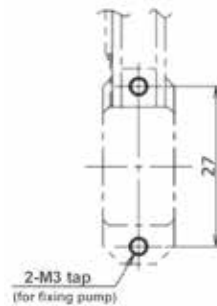


RE-C600
* You can control one pump with RE-C600.
* Can be stopped at a specified number of revolutions up to 30 times, enabling fixed volume dispensing operation at a specified multiple of the dispensing volume per revolution.
* Each operation sequence of the pump can be programmed and by storing the program data in the RE-C600, the pump can be driven without a PC connection.
* Both pumps with and without connector of motor wiring are applicable.

Outline view



Mounting plate view Flow direction in CW revolution



Model Lineup

Model Lineup	Pumphead	Autoclave sterilization	Connector	Flow rate ($\mu\text{L}/\text{min}$)	Tubing	
			Cord length		Type	ID x OD (mm)
RP-TXP5S-P04A-DC3VS	AR-TBS0.5X1.5-K	No	No connector	0.03 - 40	Silicone	0.5 x 1.5
RP-TXP5F-P03A-DC3VS	AR-TBF0.5X1.5-K		No connector			
RP-TXP5S-P04L-DC3VS	AR-TBS0.5X1.5-K5	Yes	No connector	0.03 - 40	Silicone	0.5 x 1.5
RP-TXP5S-P04Q-DC3VS	AR-TBS0.5X1.5-K	No	With connector			
RP-TXP5S-P04R-DC3VS	AR-TBS0.5X1.5-K		With connector	0.03 - 40	Silicone	0.5 x 1.5
RP-TXP5S-P04S-DC3VS	AR-TBS0.5X1.5-K5	Yes	With connector			

* PharMed BPT is product of Saint-Gobain SA and formerly described as PharMed in our brochure.

- * 1. Select pumps with connector when you wish to control them by motor controller RE-C500/C501.
- * 2. Pumps without connector can be controlled by motor controller RE-C200/C201/C100.
- * 3. Motor controller RE-C600 can control pumps both with and without connector.