

Ring Pump®

RP-2G II Series



Features

- Compact box shape makes it possible to pile up plural G II pumps.
- Two different liquids can be flowed by a single pump, using two tubings.

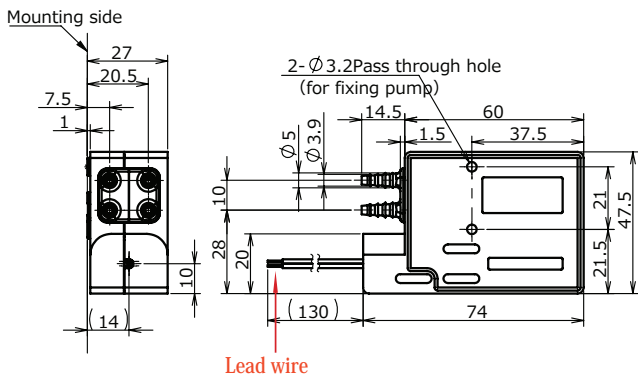
Examples of application

Automatic washing machine
Electrolytic water conditioner
Applications for detergent supply etc.

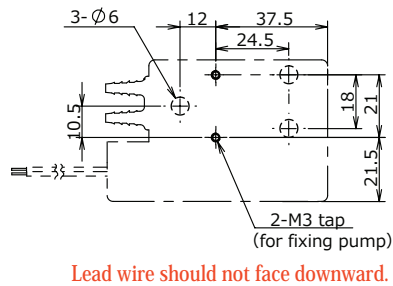
Main specifications

Flow rate (mL/min)	20 25 30 35 50 70 80
Tubing	Silicone/ PharMed BPT/ Tygon A-60-F
Motor/Power source	DC geared motor DC12V, 24V
Weight (for reference)	Approx. 115g

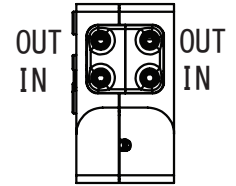
【Outline view】



【Mounting plate view】



【Flow direction】



*Flow direction (IN/OUT) is true when positive side is connected to the red lead wire.

Model Lineup

Model Lineup	Voltage (DC/V)	Flow rate (mL/min)	Tubing	
			Type	IDxOD(mm)
RP-2G II 02 S -25 Z-DC12V	12	25	Silicone	2 X 4
RP-2G II 02F-25Z-DC12V	12	20	PharMed BPT	2 X 4
RP-2G II 02 S -50Z-DC24V	24	50	Silicone	2 X 4
RP-2G II 02F-50Z-DC24V	24	50	PharMed BPT	2 X 4
RP-2G II 2.5 S -35Z-DC12V	12	30	Silicone	2.5 X 4.5
RP-2G II 2.5 S -70Z-DC24V	24	70	Silicone	2.5 X 4.5
RP-2G II 2.8N-40Z-DC12V	12	35	Tygon A-60-F	2.8 X 4.8
RP-2G II 2.8N-80Z-DC24V	24	80	Tygon A-60-F	2.8 X 4.8

* PharMed BPT and Tygon A-60-F are products of Saint-Gobain SA and formerly described as PherMed and Norprene in our brochure.

