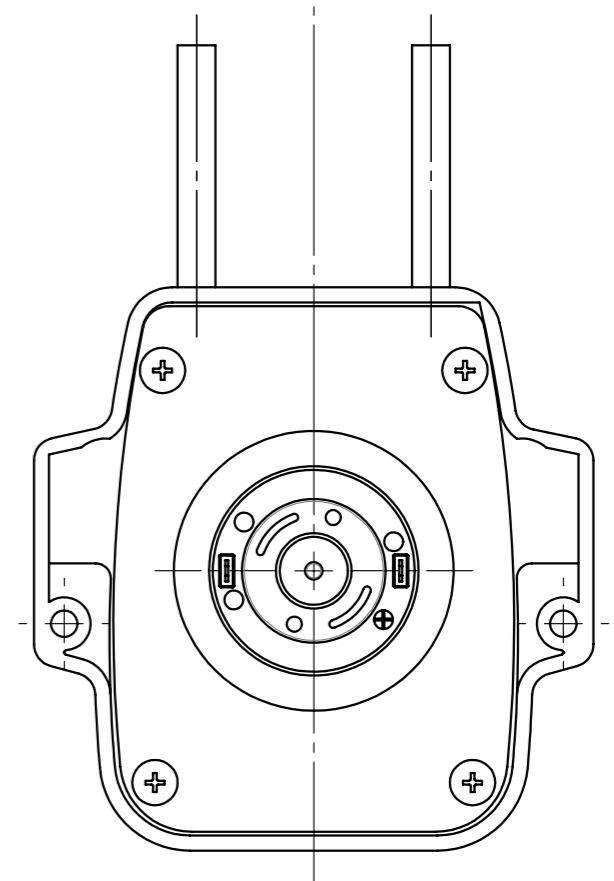
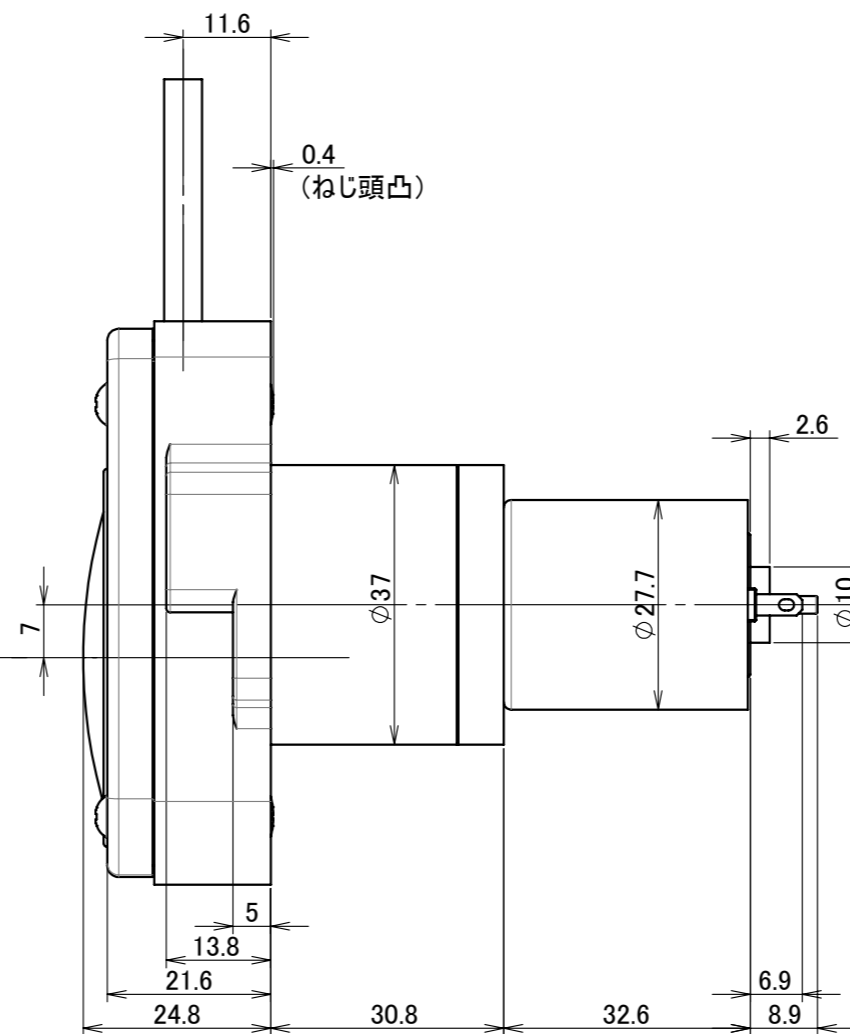
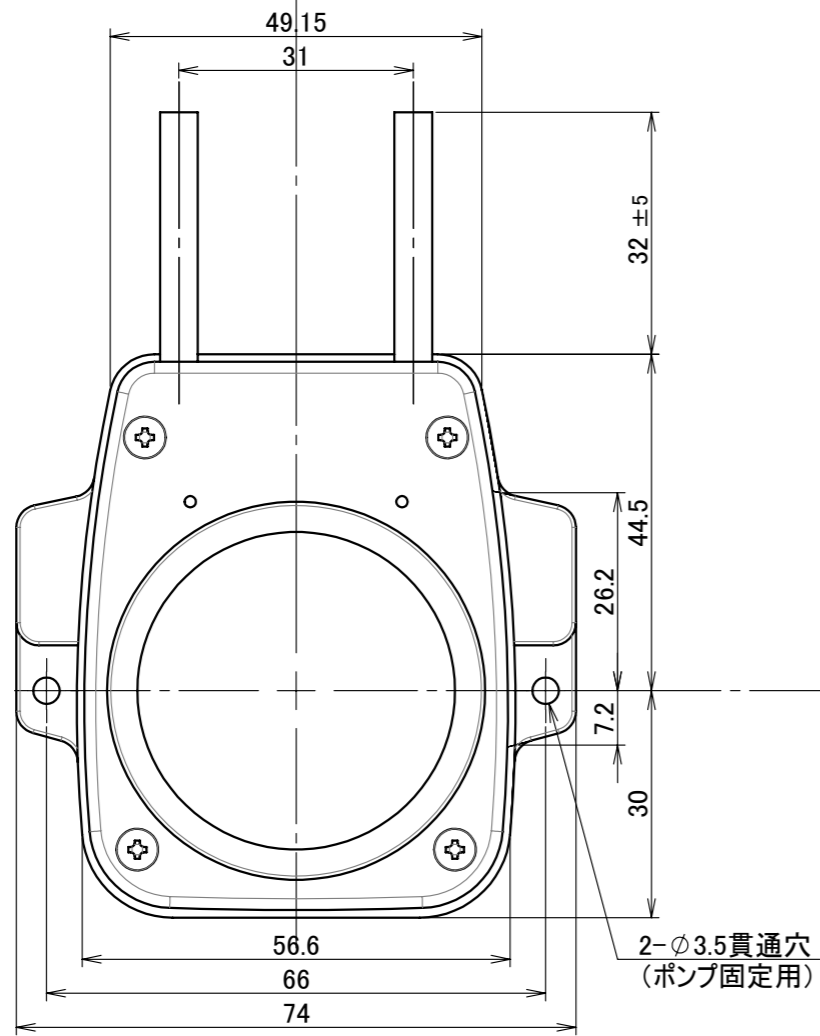
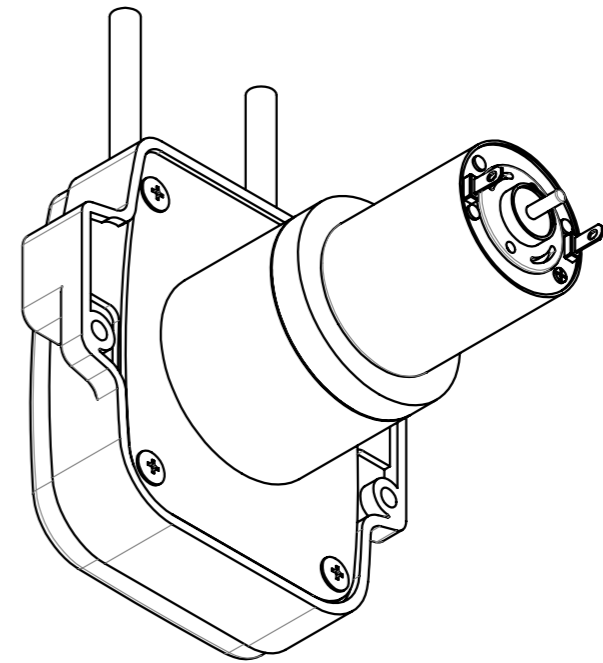
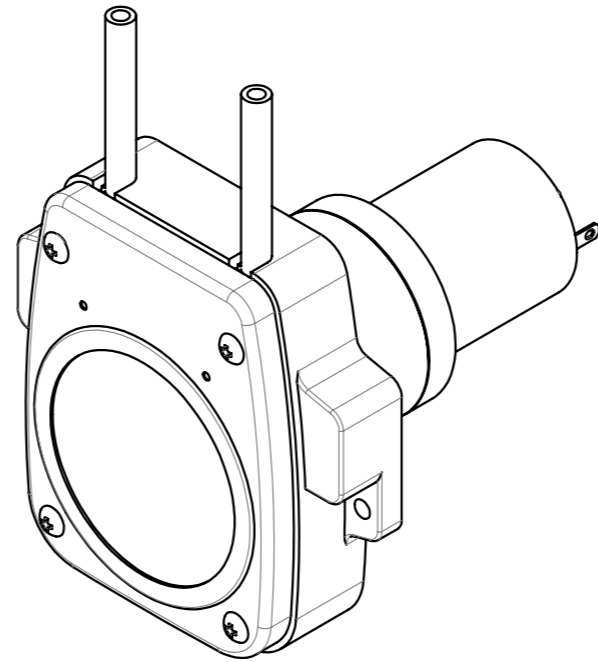
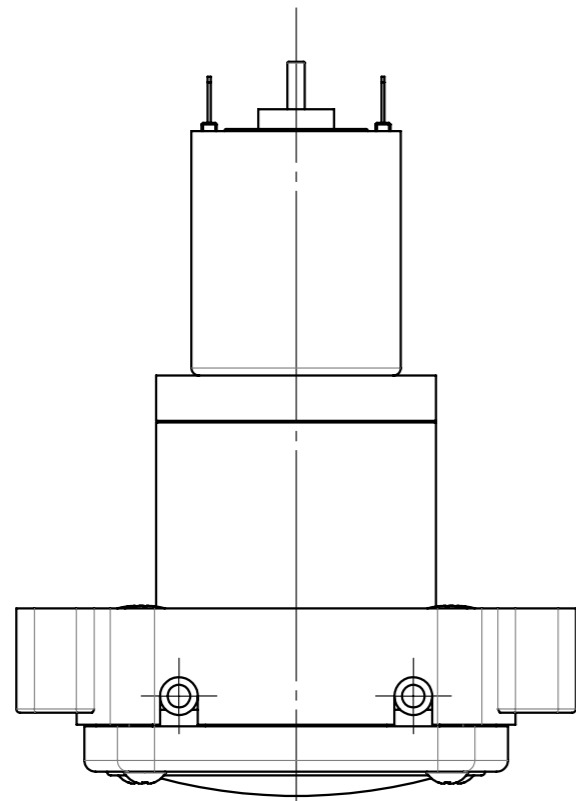
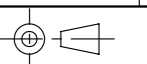


# RP-M02\*-\*-DC24V and RP-M03\*-\*-DC24V



Scale 1:1



# RP-M04\*-\* -DC24V

