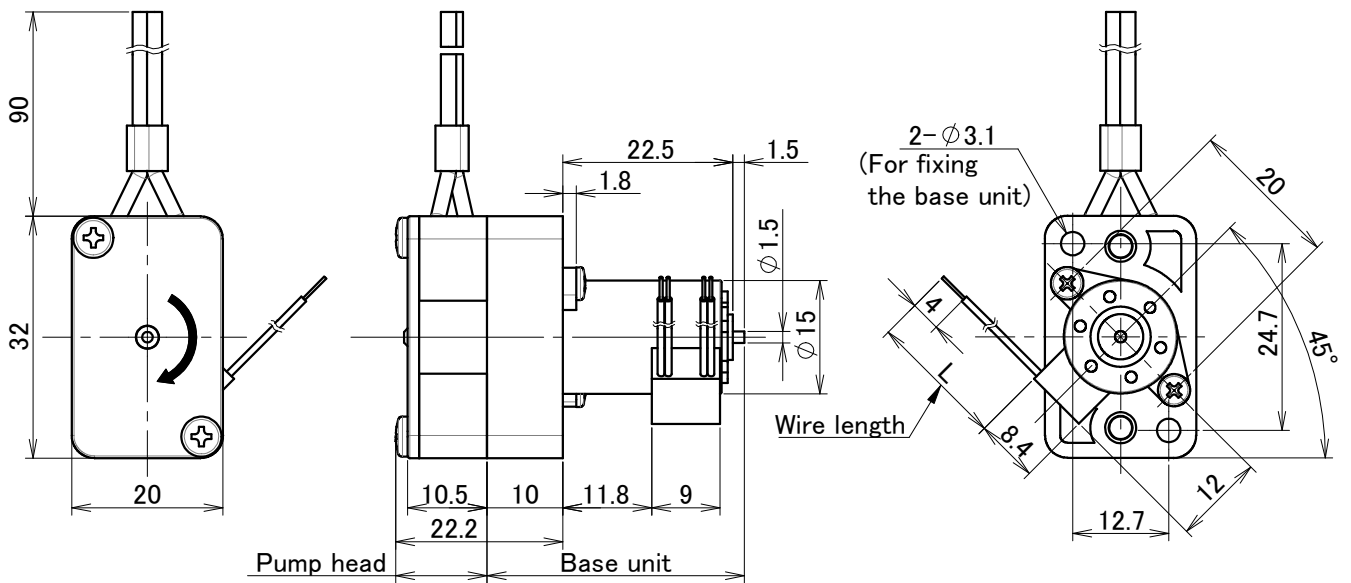
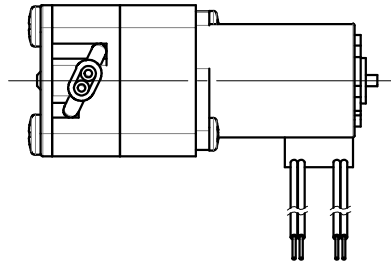
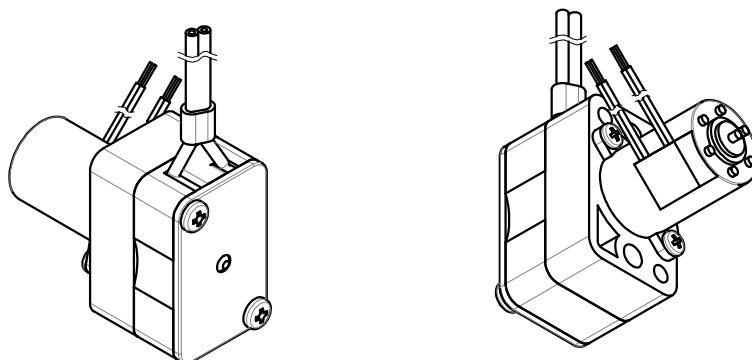


RP-HX*



Note: The pump head can be attached to the base unit by rotating the pump head 180 degrees so that the tube is facing downwards.



Scale 1:1