

# Ring Pump®

## RP-M Series (DC type)



### Features

This is the only series among our product lineup that you can select DC or AC. You have wide range of application.

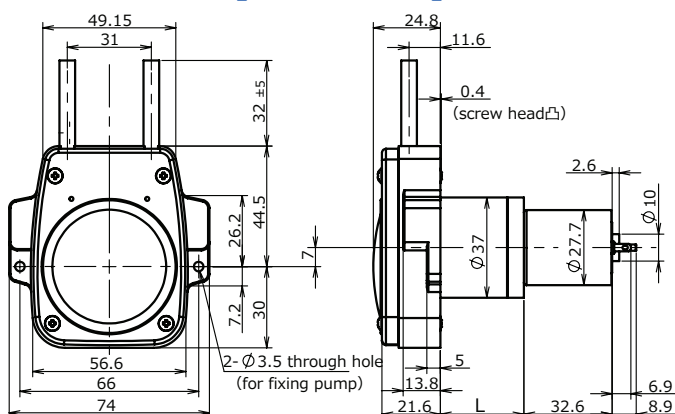
### Examples of application

Automatic washing machine, Electrolytic water conditioner, Air pressure adjuster, Automatic car washer and many other applications for detergent supply etc.

### Main specifications

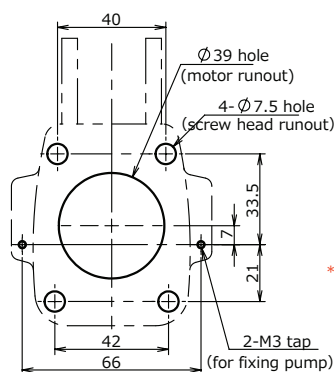
Flow rate (mL/min)	5 10 20 30 50 65
Tubing	Silicone/PharMed BPT/TM-15/SWFT
Motor/Power source	DC geared motor DC 24V
Weight (for reference)	Approx. 260g (depends on motor)

### [Outline view]



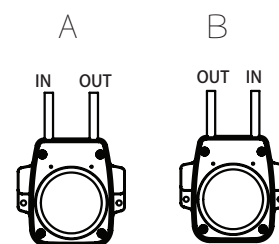
\*L dimension = Refer to the table below.

### [Mounting plate view]



\*Be sure that the motor shaft position is horizontal.

### [Flow direction]



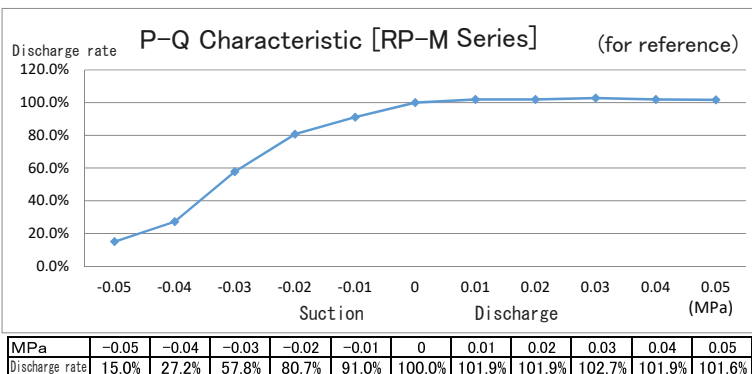
\*Flow direction (IN/OUT) is true when positive side is connected to the terminal marked ⊕ or red spot on the motor.

### Model Lineup

Model Lineup	Voltage (DC/V)	Flow rate (mL/min)	Tubing		Remarks	
			Type	ID x OD (mm)	Flow Direction	L Dimension
RP-M02S-5Z-DC24V	24	5	Silicone	2 x 4	A	30.8
RP-M02F-5Z-DC24V	24	5	PharMed BPT	2 x 4	A	30.8
RP-M02W-5Z-DC24V	24	5	Transmaster TM-15	2 x 4	A	30.8
RP-M03S-10Z-DC24V	24	10	Silicone	3 x 5	A	30.8
RP-M03F-10Z-DC24V	24	10	PharMed BPT	3 x 5	A	30.8
RP-M03W-10Z-DC24V	24	10	Transmaster TM-15	3 x 5	A	30.8
RP-M03S-20Z-DC24V	24	20	Silicone	3 x 5	A	30.8
RP-M03F-20Z-DC24V	24	20	PharMed BPT	3 x 5	A	30.8
RP-M03W-20Z-DC24V	24	20	Transmaster TM-15	3 x 5	A	30.8
RP-M03S-30Z-DC24V	24	30	Silicone	3 x 5	A	30.8
RP-M03F-30Z-DC24V	24	30	PharMed BPT	3 x 5	A	30.8
RP-M03W-30Z-DC24V	24	30	Transmaster TM-15	3 x 5	A	30.8
RP-M04S-50Z-DC24V	24	50	Silicone	4 x 6	B	28.3
RP-M04F-50Z-DC24V	24	50	PharMed BPT	4 x 6	B	28.3
RP-M04W-50Z-DC24V	24	50	Transmaster TM-15	4 x 6	B	28.3
RP-M04C-50Z-DC24V	24	50	SWFT	3.9 x 5.8	B	28.3
RP-M04F-70Z-DC24V	24	65	PharMed BPT	4 x 6	B	28.3
RP-M04W-70Z-DC24V	24	65	Transmaster TM-15	4 x 6	B	28.3
RP-M04C-70Z-DC24V	24	65	SWFT	3.9 x 5.8	B	28.3

\* PharMed BPT & SWFT are products of Saint-Gobain SA and PharMed BPT was formerly described as PharMed in our brochure.

\* Transmaster TM-15 is product of Mitsubishi Co. Ltd., Japan.



\* Variable by material or ID of tubing.