

# Ring Pump®

## RP-M Series (AC type)



### Features

This is the only series among our product lineup that you can select DC or AC. You have wide range of application.

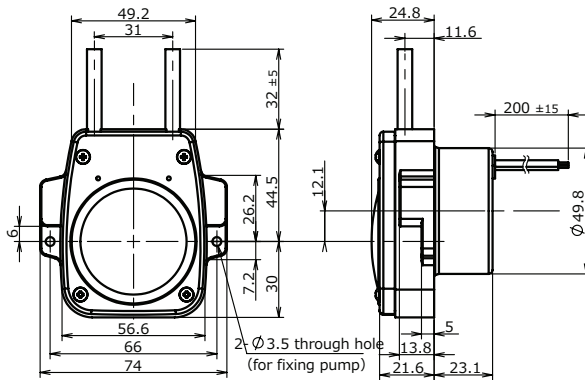
### Examples of application

Automatic washing machine, Electrolytic water conditioner, Air pressure adjuster, Automatic car washer and many other applications for detergent supply etc.

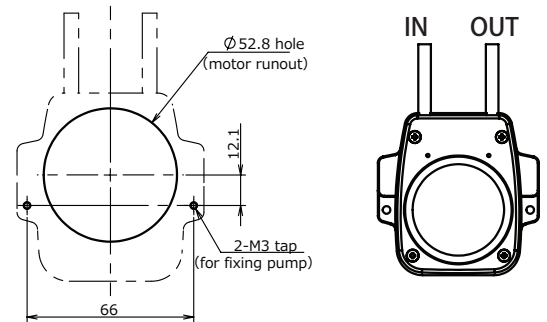
### Main specifications

Flow rate (mL/min)	5 15 20 35 (at 60Hz)
Tubing	Silicone / PharMed BPT / SWFT
Motor/Power source	AC synchronous motor AC 100V
Weight (for reference)	Approx. 200g

### 【Outline view】



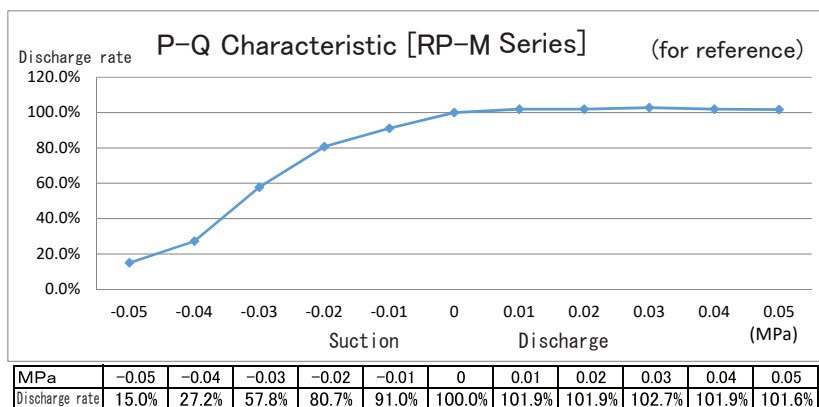
### 【Mounting plate view】 【Flow direction】



### Model Lineup

Model Lineup	Voltage (DC/V)	Flow rate (mL/min)		Tubing	
		50Hz	60Hz	Type	ID x OD (mm)
RP-M02S-5Z-AC100V	100	4.2	5	Silicone	2 x 4
RP-M02F-5Z-AC100V	100	4.2	5	PharMed BPT	2 x 4
RP-M03S-15Z-AC100V	100	12.5	15	Silicone	3 x 5
RP-M03F-15Z-AC100V	100	12.5	15	PharMed BPT	3 x 5
RP-M04S-20Z-AC100V	100	17	20	Silicone	4 x 6
RP-M04F-20Z-AC100V	100	17	20	PharMed BPT	4 x 6
RP-M04C-20Z-AC100V	100	17	20	SWFT	3.9 x 5.8
RP-M04S-35Z-AC100V	100	29	35	Silicone	4 x 6
RP-M04F-35Z-AC100V	100	29	35	PharMed BPT	4 x 6
RP-M04C-35Z-AC100V	100	29	35	SWFT	3.9 x 5.8

\* PharMed BPT & SWFT are products of Saint-Gobain SA. PharMed BPT was formerly described as PharMed in our brochure.



※ Variable by material or ID of tubing.