

# Ring Pump®

## RP-K II Series



### Features

- Simple design and tough pump.
- Since we have wide range of flow level, wide range of application can be expected.

### Examples of application

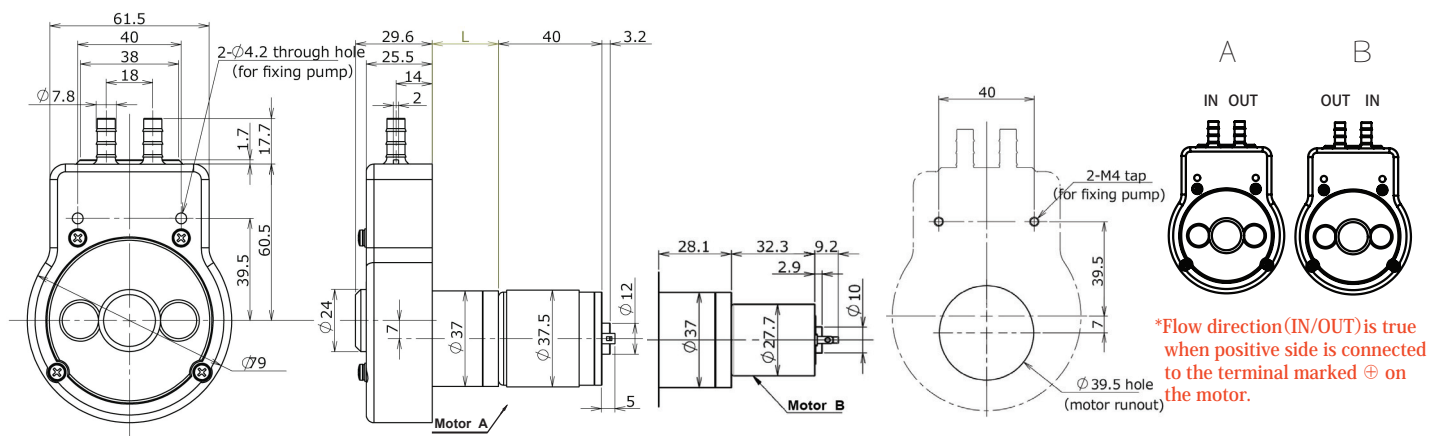
Automatic washing machine  
Floor washer, Medical device and many applications for detergent supply etc.

### Main specifications

Flow rate (mL/min)	50 100 150 200 250
Tubing	Silicone/Taigon A-60-F/Transmaster TM-15
Motor/Power source	DC24V
Material of main parts	Base : Steel Case:PP
Weight (for reference)	Approx. 400g

### 【Outline view】

### 【Mounting plate view】 【Flow direction】

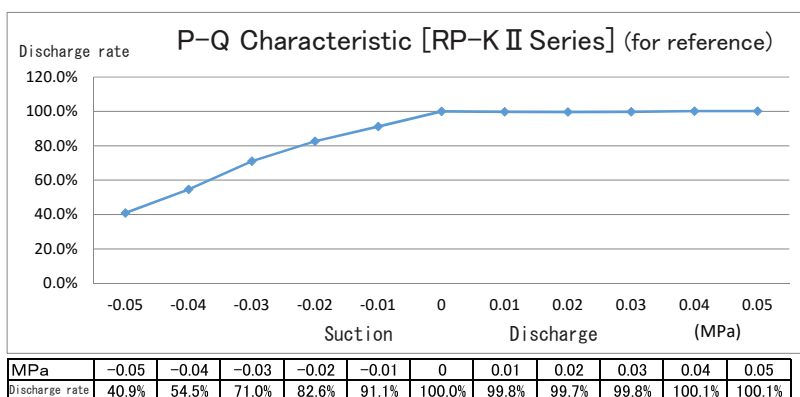


※L dimension = Refer to the table below. Be sure that the motor shaft position is horizontal.

### Model Lineup

Model Lineup	Voltage (DC/V)	Flow rate (mL/min)	Tubing		Remarks		
			Type	ID x OD (mm)	Motor	L Dimension	Flow Direction
RP-K II 05S-50Z-DC24V	24	50	Silicone	4.8 x 8.0	A	28.1	B
RP-K II 05N-50Z-DC24V	24	50	Tygon A-60-F	4.76 x 7.94	A	28.1	
RP-K II 05W-50Z-DC24V	24	50	Transmaster TM-15	4.8 x 7.9	A	28.1	
RP-K II 06S-100Z-DC24V	24	100	Silicone	6.5 x 9.9	B	28.1	
RP-K II 06N-100Z-DC24V	24	100	Tygon A-60-F	6.35 x 9.52	B	28.1	
RP-K II 06W-100Z-DC24V	24	100	Transmaster TM-15	6.35 x 9.52	B	28.1	
RP-K II 06N-150Z-DC24V	24	150	Tygon A-60-F	6.35 x 9.52	A	25.6	A
RP-K II 06W-150Z-DC24V	24	150	Transmaster TM-15	6.35 x 9.52	A	25.6	
RP-K II 06N-200Z-DC24V	24	200	Tygon A-60-F	6.35 x 9.52	A	25.6	
RP-K II 06W-200Z-DC24V	24	200	Transmaster TM-15	6.35 x 9.52	A	25.6	
RP-K II 06N-250Z-DC24V	24	250	Tygon A-60-F	6.35 x 9.52	A	25.6	
RP-K II 06W-250Z-DC24V	24	250	Transmaster TM-15	6.35 x 9.52	A	25.6	

\* Tygon A-60-F is product of Saint-Gobain SA and formerly described as Norprene in our brochure. \* Transmaster TM-15 is product of Mitsubishi Co., Ltd., Japan.



※ Variable by material or ID of tubing.