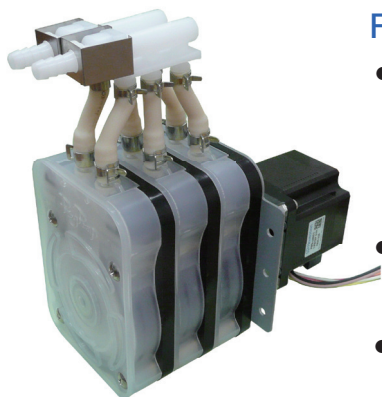


## RP-3S Series Stepper motor type



### Features

- Having three pump parts of RP-S, it's the biggest flow volume pump among our lineup. You can also use each of three pump parts for flowing three different solutions.
- By adopting stepper motor, you can select flow volume freely up to 2.5 liters as maximum.
- Pulsation is largely decreased by shifting angle of rotor of each additional pumps by 120 degrees.

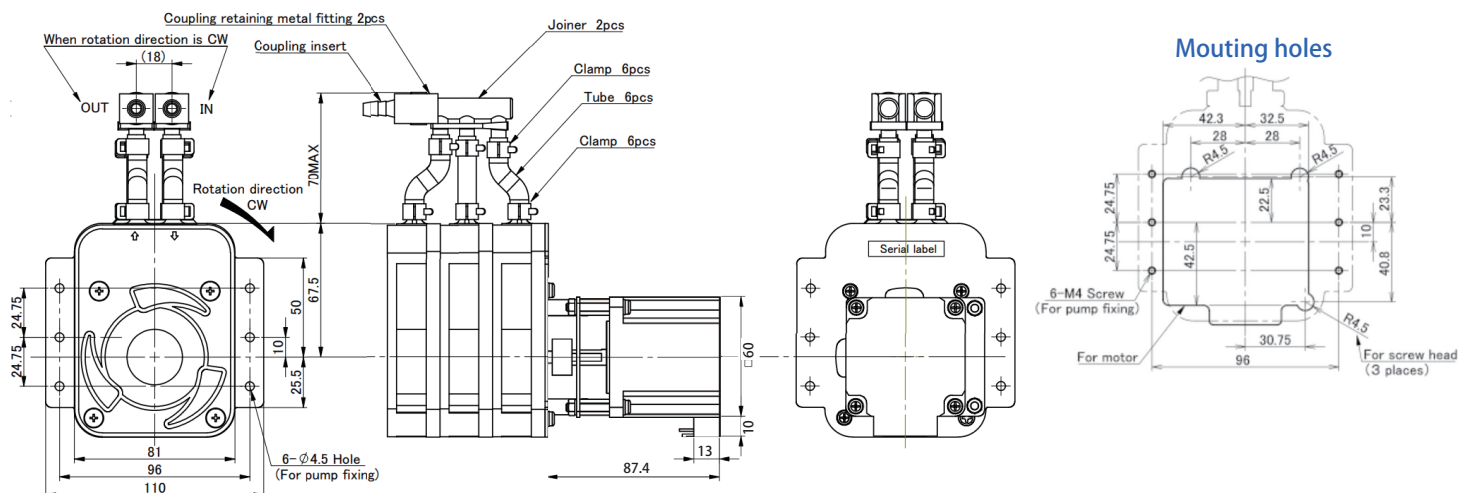
### Main specifications

|                        |                     |
|------------------------|---------------------|
| Flow rate (mL/min)     | 2500 (Max.)         |
| Tubing                 | PharMed BPT         |
| Motor/Power source     | Stepper motor DC24V |
| Weight (for reference) | Approx. 1800g       |

### Examples of application

Automatic car washing machine / Automatic cup coffee vender / Floor washer / Hand washer / Applications for detergent supply etc.

### Outline view

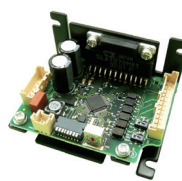


### Stepper motor controller and driver board

RP-3S pump is operated by a stepper motor. You need a controller or driver to drive it. We offer following dedicated controller and driver board which are sold separately as options. Please contact our sales office for purchasing them.



Stepper Motor Controller (option)



Stepper Motor Driver Board (option)

### Model Lineup

| Model Lineup          | Voltage (DC/V) | Flow rate (mL/min)                          | Tubing      |            |
|-----------------------|----------------|---|-------------|------------|
|                       |                |   | Type        | ID/OD(mm)  |
| RP-3S07F-2500Z-DC24VS | 24             | Approx.9 at 1 rpm<br>Approx.2500 at 300 rpm | PharMed BPT | 7.0 / 10.0 |

\* PharMed BPT is product of Saint-Gobain SA. It was formerly described as PharMed in our brochure.

### P-Q Characteristic Graph

There are detailed information in our Website.

Ring Pump



Q & A