

**New !!**

# Ring Pump®

## “Fixed Flow Rate” Pump System

### RE-C300-K II C Series

#### Features

- This is a metering pump system that combines an Aquatech’s ring pump using an encoder-equipped DC motor and its dedicated motor controller “RE-C300” to achieve metering by stopping the motor rotation at an exact integer multiple of one rotation.
- You can select tubing from 3 kinds of materials.

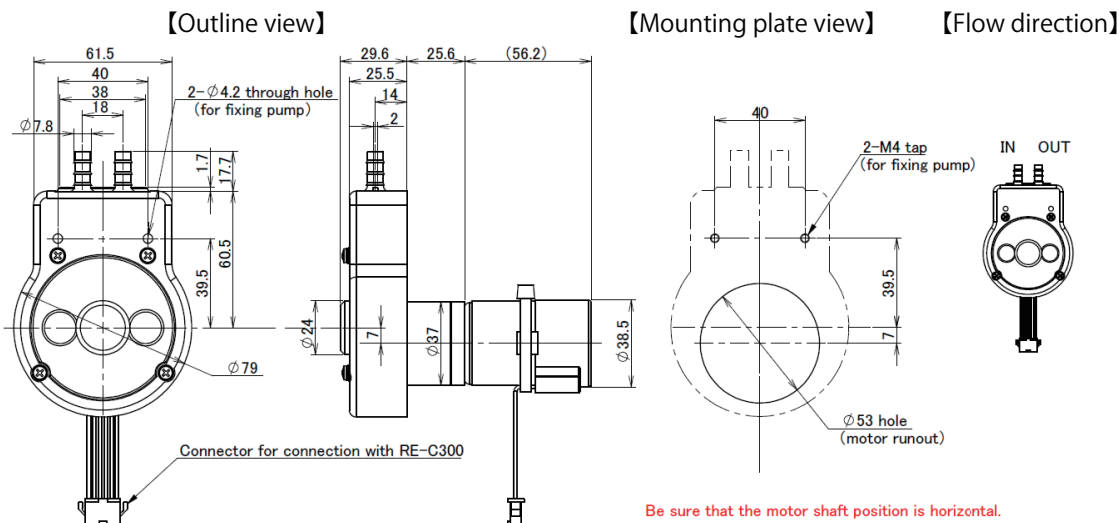
#### Main specifications

Flow rate	Max. 150mL / 5 mL - Step
Tubing	Silicone / Tygon A-60F Transmaster TM-15
Motor/Power source	Encoder-equipped DC motor /24V
Weight (for reference)	Approx. 415g

The maximum flow rate is the volume for one operation that can be set on the RE-C300.

#### Examples of application

Analytical instruments, medical devices, cell culturing experiments and many other usage where micro-fluidic control is needed.



#### Model Lineup

System Models	Voltage (DC/V)	Max. Flow rate (mL)	Tubing		System
			Type	IDxOD(mm)	RE-C300+ following pump
RE-C300-K II C05S	24	150	Silicone	4.8 x 8.0	RP-K II C05S-150Z-DC24VE
RE-C300-K II C05N	24	150	Tygon A-60-F	4.76 x 7.94	RP-K II C05N-150Z-DC24VE
RE-C300-K II C05W	24	150	Transmaster TM-15	4.8 x 7.9	RP-K II C05W-150Z-DC24VE

\* Tygon A-60-F is a product of Saint-Gobain SA. It was formerly described as Norprene in our brochure.

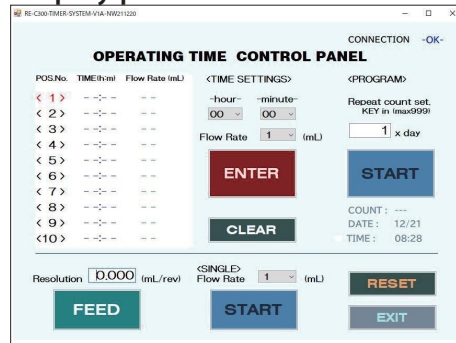
\* Transmaster TM-15 is product of Mitsubishi Co. Ltd., Japan.

#### Motor controller RE-C300



Install the dedicated software saved on the provided USB memory stick on your computer. By connecting the PC and dedicated motor controller “RE-C300” with the included USB cable, various operations of the pump become available. Various pump operation sequences can also be programmed.

#### Display panel of PC software (Example)



**NB:** For the Initial purchase, please select from above “System Models”. From the next purchase onward, the pump can be sold as a stand-alone unit.