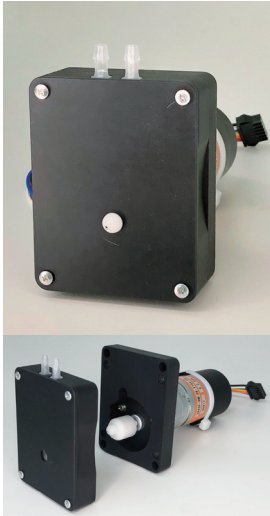


New !!

Ring Pump®

“Fixed Flow Rate” Pump System

RE-C300-H II C Series



Features

- This is a metering pump system that combines an Aquatech's ring pump using an encoder-equipped DC motor and its dedicated motor controller "RE-C300" to achieve metering by stopping the motor rotation at an exact integer multiple of one rotation.
- Pump head is replaceable and the docking of pump head can be done in a single action. No screw bolt needed
- Pump head can be sterilized.
 - Autoclave 121 degree C, 25 min. (all tubings except Transmaster TM-15)
 - Gamma rays 25kGy
- You can select tubing from 4 kinds of materials.

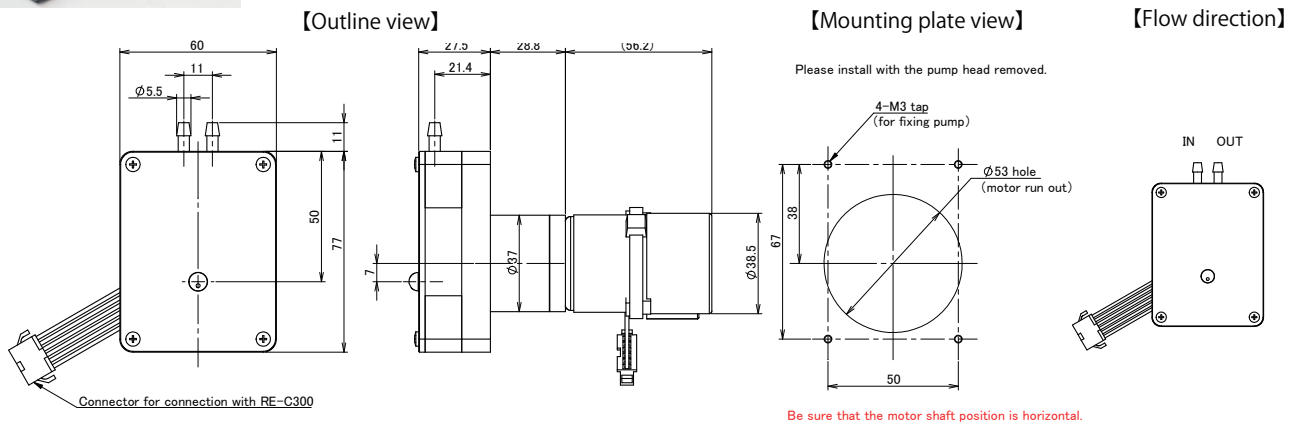
Main specifications

Flow rate	Max. 70mL / 1.0 mL - Step
Tubing	Silicone / Pharmed BPT / SWFT / Transmaster TM-15
Motor/Power source	Encoder-equipped DC motor /24V
Weight (for reference)	Approx. 360g

The maximum flow rate is the volume for one operation that can be set on the RE-C300.

Examples of application

Analytical instruments, medical devices, cell culturing experiments and many other usage where micro-fluidic control is needed.

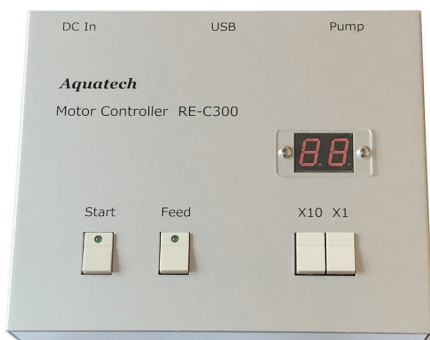


Model Lineup

System Models	Voltage (DC/V)	Max. Flow rate (mL)	Tubing		Replacement pumphead	System
			Type	IDxOD(mm)		RE-C300+ following pump
RE-C300-H II C04S	24	70	Silicone	4 x 6	RK-H II C04S	RP-H II C04S-70Z-DC24VE
RE-C300-H II C04F	24	70	PharMed BPT	4 x 6	RK-H II C04F	RP-H II C04F-70Z-DC24VE
RE-C300-H II C04W	24	70	Transmaster TM-15	4 x 6	RK-H II C04W	RP-H II C04W-70Z-DC24VE
RE-C300-H II C04C	24	70	SWFT	3.9 x 5.8	RK-H II C04C	RP-H II C04C-70Z-DC24VE

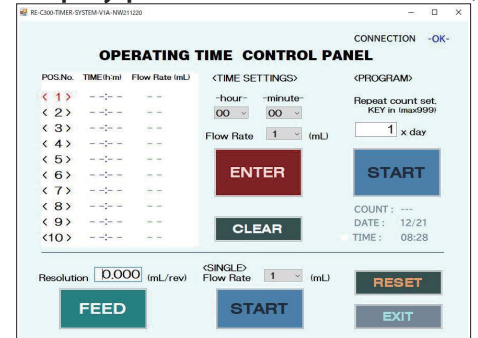
* PharMed BPT, and SWFT are products of Saint-Gobain SA. PharMed BPT was formerly described as PharMed in our brochure.
 * Transmaster TM-15 is product of Mitsubishi Co. Ltd., Japan.

Motor controller RE-C300



Install the dedicated software saved on the provided USB memory stick on your computer. By connecting the PC and dedicated motor controller "RE-C300" with the included USB cable, various operations of the pump become available. Various pump operation sequences can also be programmed.

Display panel of PC software (Example)



NB: For the Initial purchase, please select from above "System Models". From the next purchase onward, the pump can be sold as a stand-alone unit.