

New !!

Pump head is detachable!

Ring Pump®

Q II & Q II X Series

Q III & Q III X Series



RP-Q II · Q II X RP-Q III · Q III X



When the pump head is detached.

Features

- We have newly developed new series of RP-Q series, which has replaceable pump head that has been requested by many customers.
- All the spec. and functions are same between RP-QII series and RP-QIII series. The only difference is that RP-QIII series has mounting holes.

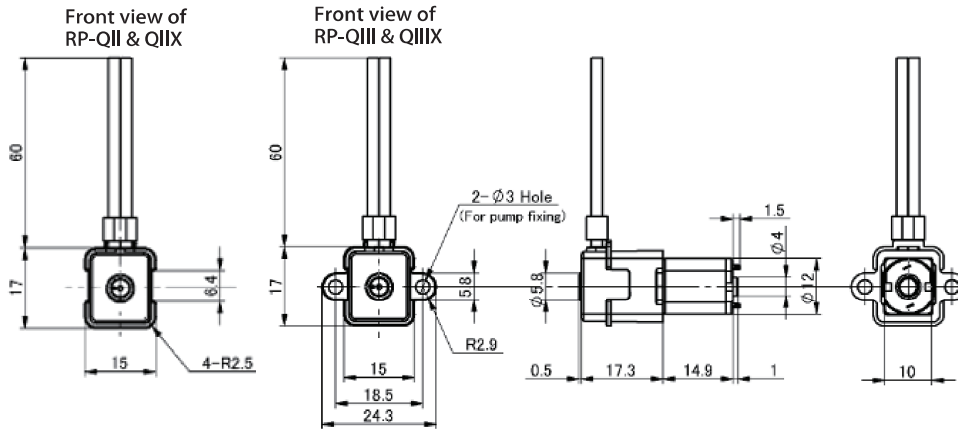
Examples of application

Analytical instruments, medical devices, fuel cell and many other usage where micro-fluidic control is needed.

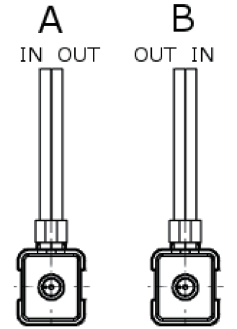
Main specifications

Flow rate (mL/min) ※	Q II : 0.9 0.45 Q II X : 2.2 1.2 Q III : 0.9 0.45 Q III X : 2.2 1.2
Tubing	Silicone/SWFT
Motor/Power source	DC3V
Material of main parts	Case : PP
Weight (for reference)	Approx. 13g

【Outline view】



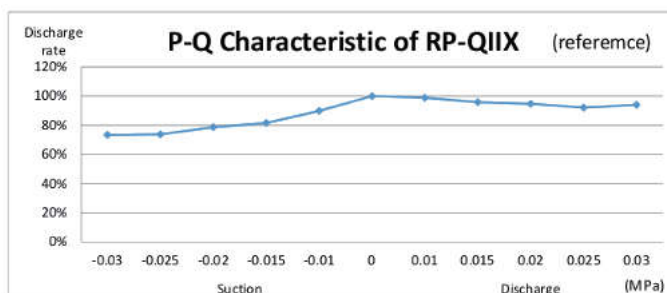
【Flow direction】



Model Lineup

Model Lineup	Voltage (DC/V)	Flow rate (mL)		Tubing		Remarks	
		/min	/rotation	Type	ID/OD (mm)	Motor Rotation	Flow Direction
RP-Q II 1.5S-P90Z-DC3V	3	0.90	0.02	Silicone (S)	1.5 X 2.5	CCW	A
RP-Q II 1.2C-P45Z-DC3V	3	0.45	0.01	SWFT (C)	1.2 X 2.5		
RP-Q II X 1.5S-2P2Z-DC3V	3	2.20	0.02	Silicone (S)	1.5 X 2.5	CW	B
RP-Q II X 1.2C-1P2Z-DC3V	3	1.20	0.01	SWFT (C)	1.2 X 2.5		
RP-Q III 1.5S-P90Z-DC3V	3	0.90	0.02	Silicone (S)	1.5 X 2.5	CCW	A
RP-Q III 1.2C-P45Z-DC3V	3	0.45	0.01	SWFT (C)	1.2 X 2.5		
RP-Q III X 1.5S-2P2Z-DC3V	3	2.20	0.02	Silicone (S)	1.5 X 2.5	CW	B
RP-Q III X 1.2C-1P2Z-DC3V	3	1.20	0.01	SWFT (C)	1.2 X 2.5		

SWFT: product of Saint-Gobain SA



	Suction					Discharge					
Mpa	-0.03	-0.025	-0.02	-0.015	-0.01	0	0.01	0.015	0.02	0.025	0.03
Discharge rate	73%	74%	79%	82%	90%	100%	99%	96%	95%	92%	94%

※ Variable by material or ID of tubing.